



# Chapter 4

## VIDEOKIT

**ALBA/SETTE** page  
**SE4252ABW** 4.2

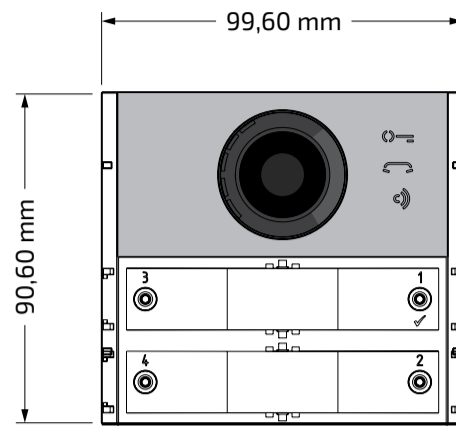
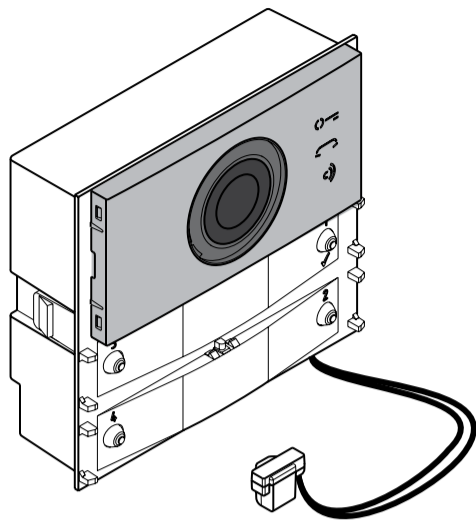
**ALBA/ZHERO**  
**ZH1252ABWE** 4.6

**AGORÀ/ZHERO**  
**ZH1252AGLEWE** 4.10  
**ZH1252AGLEWE/2** 4.12

# Art. SE4252ABW

composed by:

## CV2144AB



Programmable via DUO System app

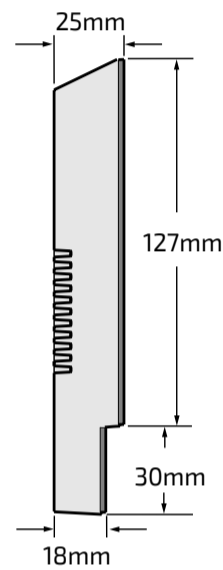
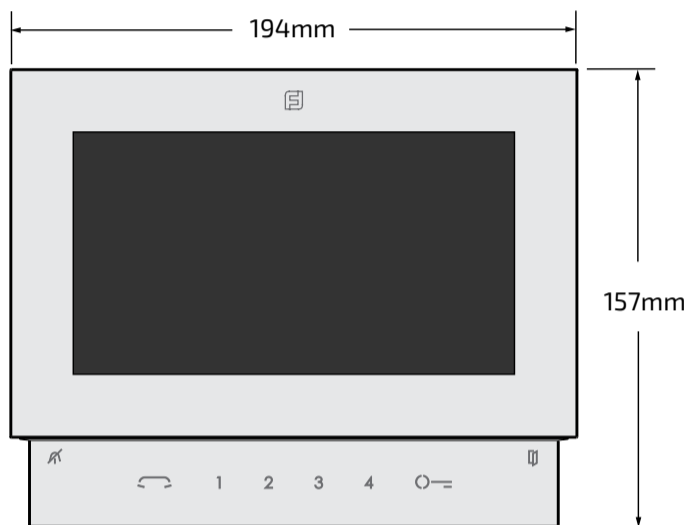


Modulators managing



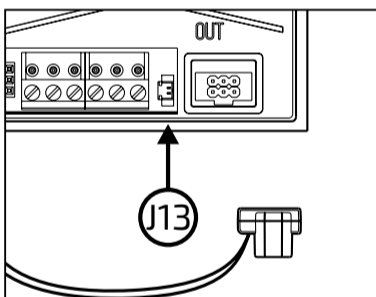
Office function

## SE4252



**CV2144AB:** The audio/video modules are equipped with:

- voice messages;;
- 2 Single-Button or 4 Double-Buttons configuration;
- auxiliary relay (contacts C and NA);



### Technical data

Power supply: from the DUO line  
 Consumption stand-by: 0.02A  
 in operation: 0.25A  
 Max current delivered to other modules: 0.1A  
 Lock activation current releasing: > 1A (10msec.)  
 holding: 180mA  
 Operating temperature: -25 ÷ 50°C  
 Maximum permissible humidity: 90% RH

### Terminals and Connectors

**LP/LP** DUO line  
**S+/S-** Electric lock  
**PB/GN** Lock opening button  
**J4** Connector connecting other modules  
**J13** Auxiliary relay (30Vdc-1A)1A)

### LED signals under normal operation

**ON:** lock released  
**ON:** call in progress  
**ON:** conversation in progress  
**Quickly flashing:** user or system busy

**SE4252:** Videointercom with 7.0" LCD screen for DUO systems. Six buttons are available to enable videointercom functions; buttons 1, 2, 3 and 4 can also be used to make intercom calls.

### Technical data

Power supply from DUO bus  
 Stand-by current 8 mA  
 Operating current 230 mA  
 Monitor 7" LCD  
 Operating temperature 0° ÷ +50°C  
 Maximum admissible humidity 90%RH

### Terminals

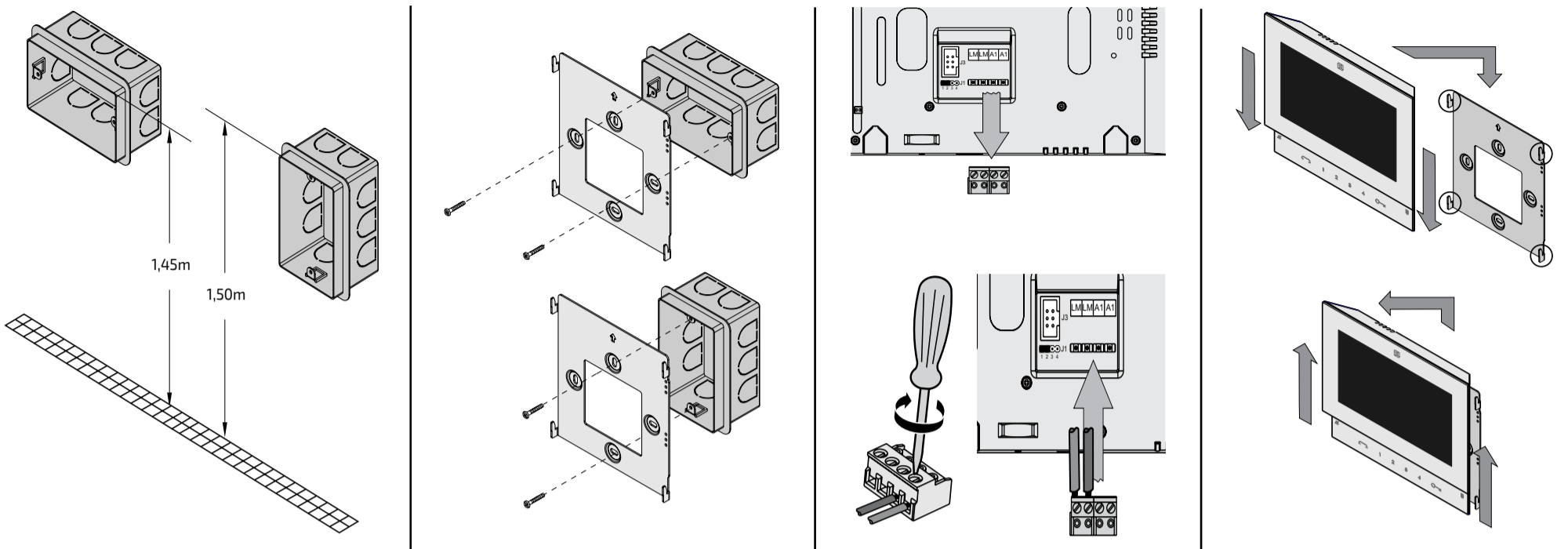
**A1/A1** Floor call input  
**LM/LM** Line input

### Signalling LEDs

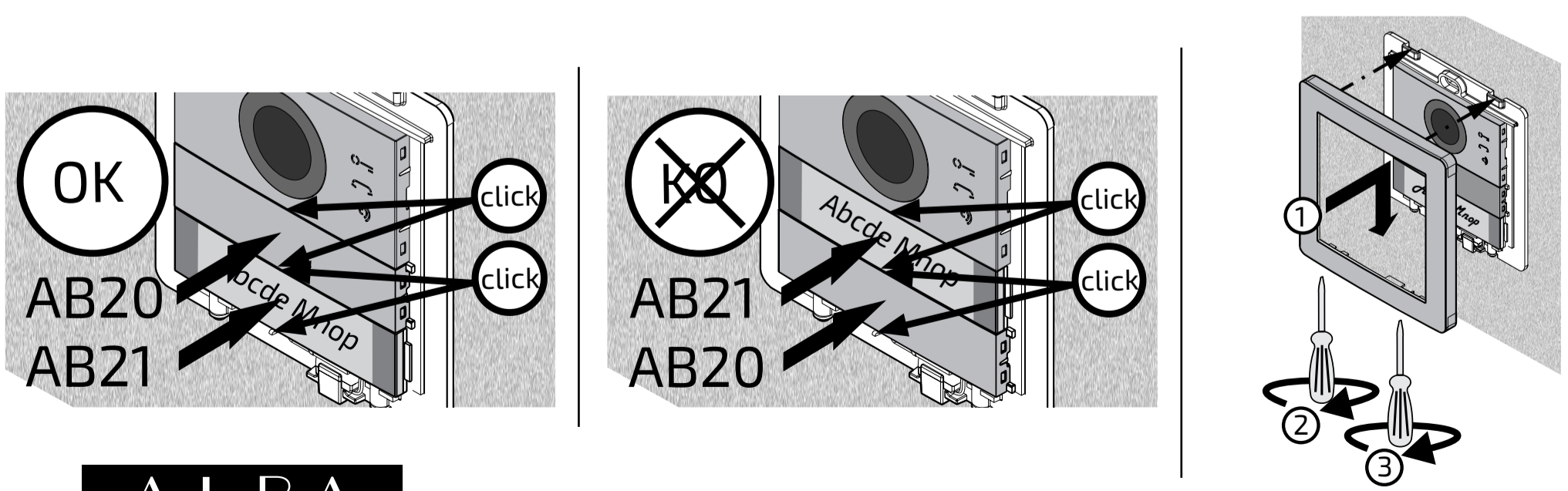
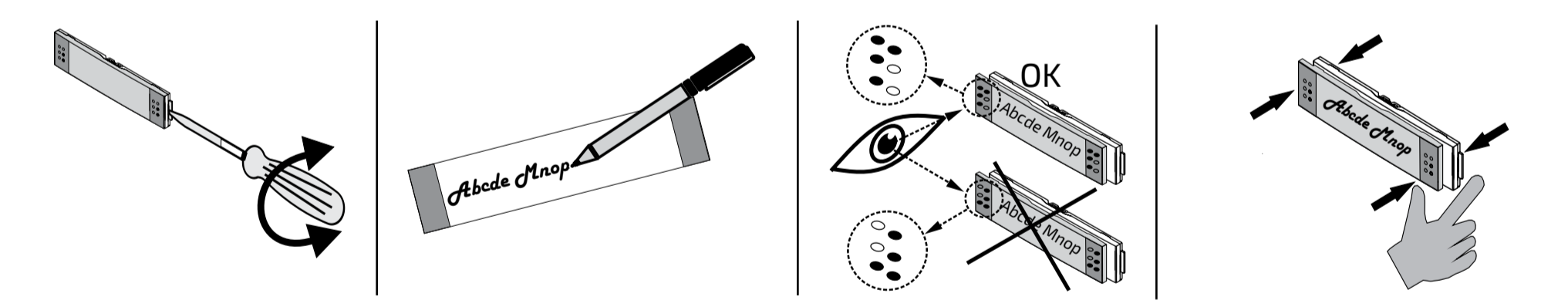
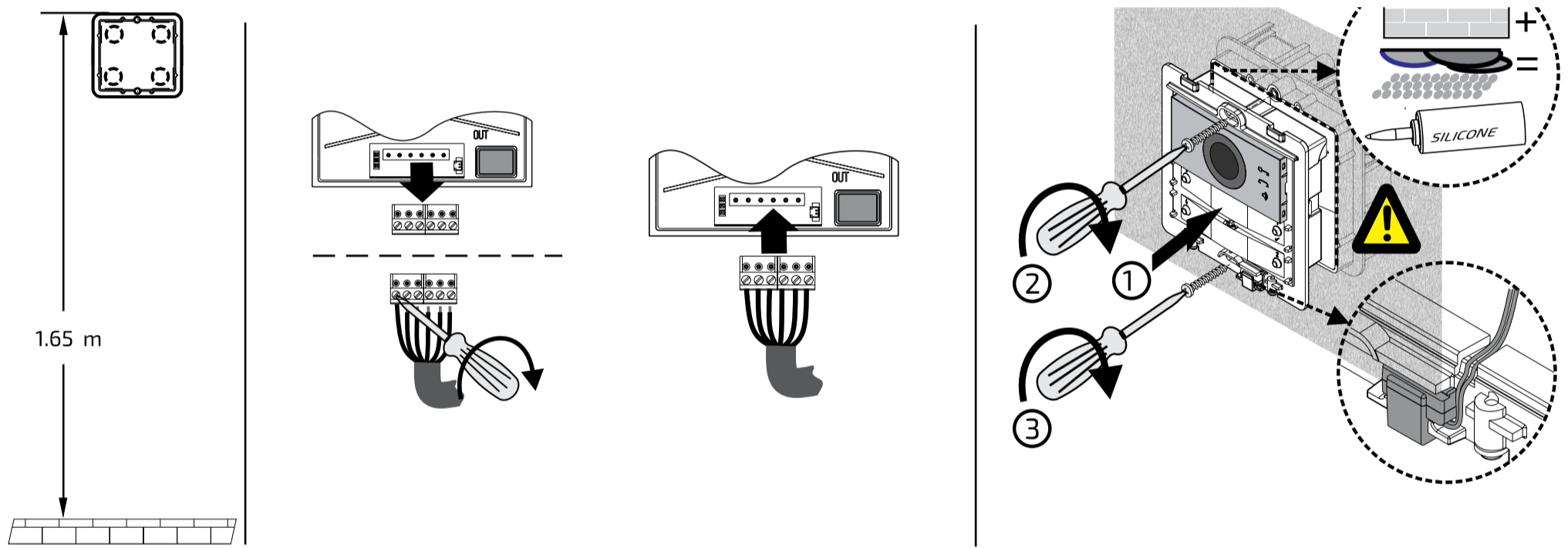
Ringtones deactivated  
 Signalling of door open

Mounting and installation

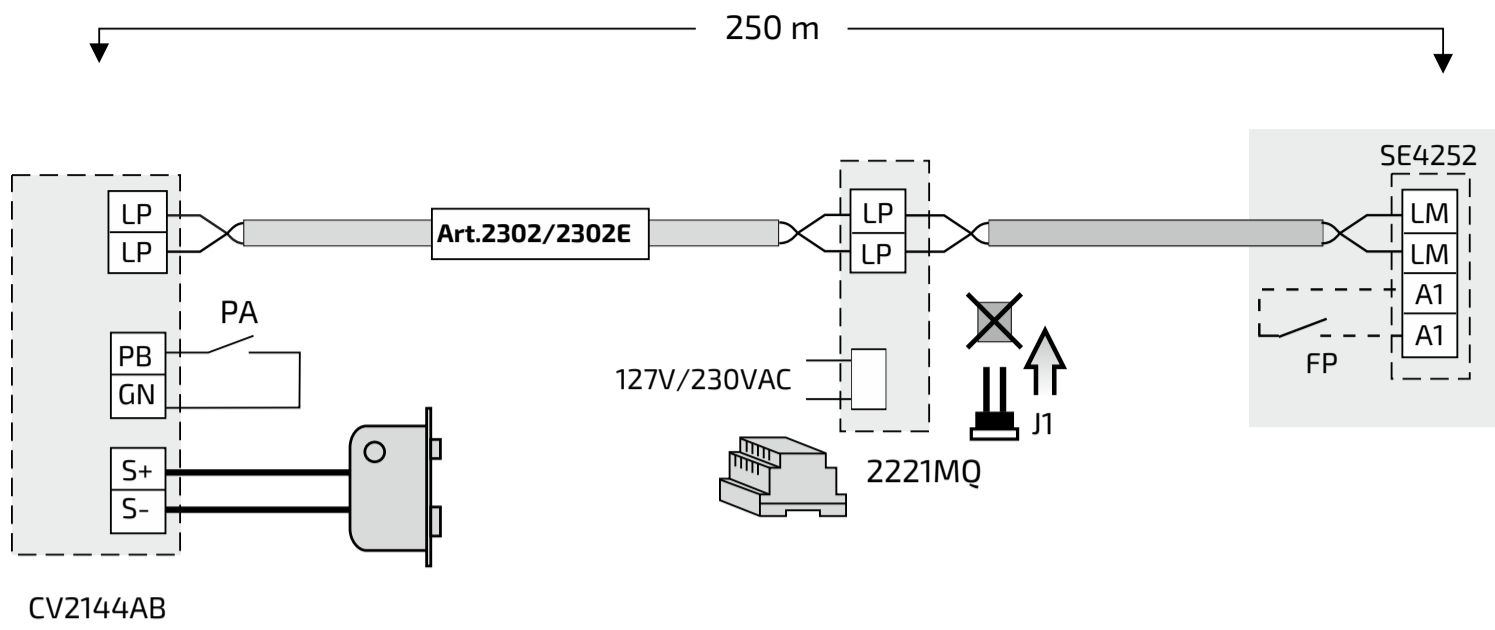
**SE77E** SE4252



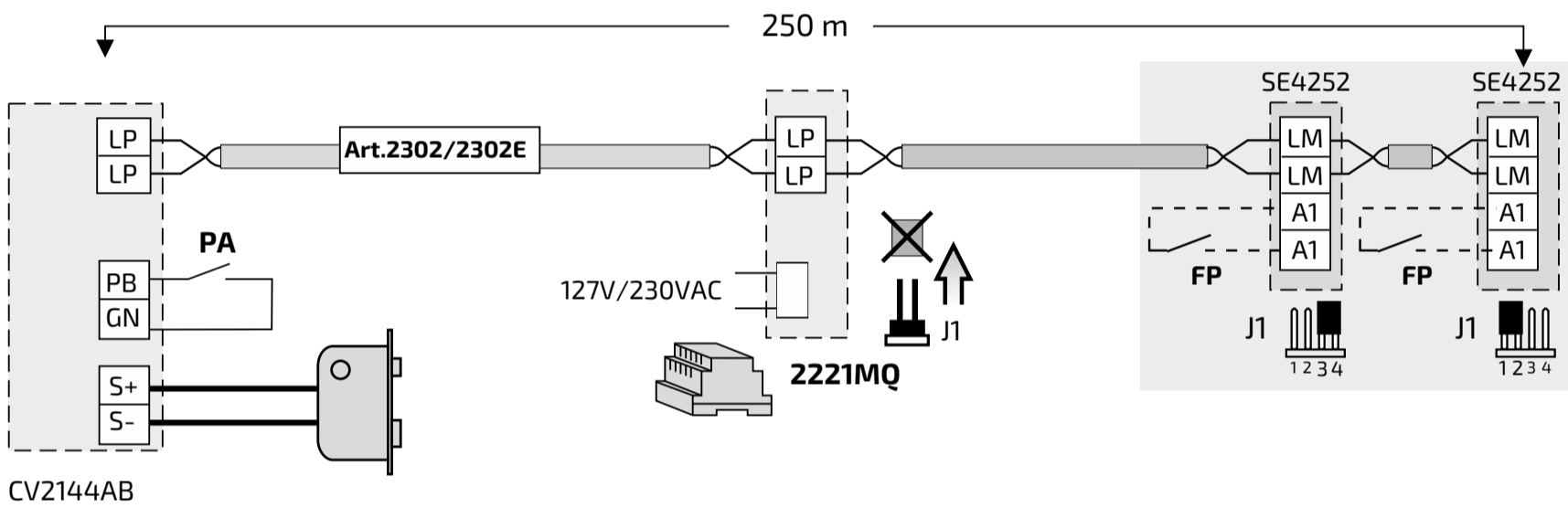
**ALBA** CV2144AB



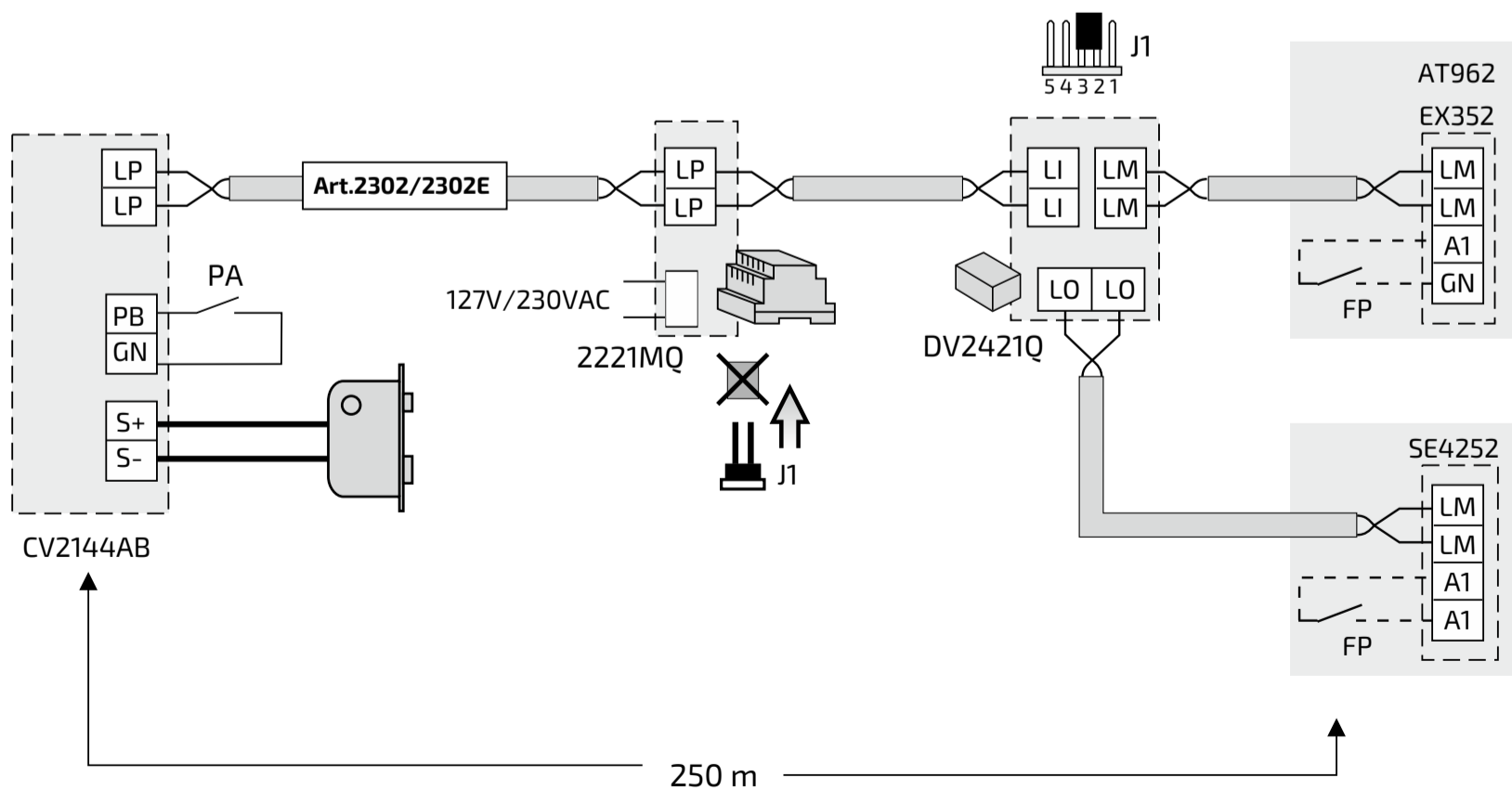
Basic kit installation diagram **Si 51VM/190**



Installation diagram with the addition of a second video intercom on the same call or on the other call **Si 51VM/191**



Installation diagram with addition of an intercom on the same call or on the other call **Si 51VM/192**



### Programming to be done.

Si51VM/190

The videokit, if installed in compliance with the instructions provided in the instruction manual supplied, and in particular by installing the AB21 button below, is already factory-programmed for the main use relating to call forwarding. However, it is possible to make some customisations as shown in the following paragraphs:

### Changing ringtone for door call.

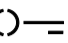
In order to choose a ringtone (different from the default Din-Don), it is necessary to create an entry in the Users and Devices List whose Label will be assigned the desired name (Door unit via dei Condotti, Access from Piazza di Spagna....) and whose Address field will be assigned the actual door unit address (factory default 231). At this point it is possible from the Ringtone field to choose the desired melody.

### Activation J13 (CV2144AB), actuator for second opening.

In order to be able to activate output J13 of the CV2144AB module (dry contact), for example to open a driveway gate, it is necessary to create an entry in the 'Users and Devices' list whose Label will be assigned

the desired name (e.g. Loading/unloading access) and whose Address field will be assigned the address of contact J13 (factory setting 211).

### Office Function.

The SE4252 is set up to manage the office function. When the call arrives from outside, if the function is active, without an answer, after a time of 10 seconds (factory setting), the command is sent to open the lock connected to terminals S+/S-. The function is activated and deactivated with the monitor in stand-by mode by pressing the button  for a long time (> 3 seconds). Activation of the function is indicated by the LEDs above the 6 video door phone buttons switching on and off in sequence. Deactivation is indicated by the absence of the LED lighting sequence shown above.

### Programming to be done.

Si51VM/191

With the exception of creating a new user in the 'Users and Devices' list on the SE4252 videointercom, which must be performed directly on the latter, we recommend performing all other programming via Bluetooth by installing programmer XE2921 on the CV2144AB and downloading the 'DUO System' app to your smartphone. Alternatively, you can always proceed manually as described in the instruction manuals that accompany the videointercom or additional intercom.

### Second videointercom on the same call.

- **First SE4252:** A new user must be created in the 'Users and Devices' menu section. In the field 'Label', the name to be given to this service must be written (e.g. 'Room call', in the field 'Address' the address 100 must be configured and finally in the field 'Room' the number 001 must be set;
- **Second SE4252:** in the menu section 'Users and Devices' a new user must be created. In the field 'Label' the name to be given to this service is to be written (e.g. 'Living room call', in the field 'Address' the address 100 is to be configured and finally in the field 'Room' the number 000 is to be set. Among the parameters in the submenu

'System', the item 'Room' must be configured with the number 001..

### Second videointercom on different call.

- **First SE4252:** A new user must be created in the menu section 'Users and Devices'. In the field 'Label' the name to be given to this service must be written (e.g. 'Call to mother-in-law' and in the field 'Address' the address 099 must be configured;
- **Second SE4252:** A new user is to be created in the menu section 'Users and Devices'. In the 'Label' field, the name you wish to give this service (e.g., 'Greta Call' and in the 'Address' field, the address 100 is to be written. Among the parameters in the 'System' sub-menu, the 'Address' item is to be configured with the address 099.

**On the CV2144AB audio/video module, the second AB21 (button), supplied with the kit, must be mounted. The first button (from the top) activates the call to address 099, the second to address 100.**

### Programming to be done.


Si51VM/192

With the exception of creating a new user in the 'Users and devices' list of the SE4252 videointercom, which must be performed directly on the latter, and modifying (where required) the user address of the AT962 intercom, which must be configured on the microswitches of SW1, we recommend performing all other programming via Bluetooth, installing programmer XE2921 on the CV2144AB and downloading the 'DUO System' app to your smartphone. Alternatively, you can always proceed manually as described in the instruction manuals that accompany the videointercom or additional intercom.

### Videointercom and intercom on the same call.

- **SE4252:** A new user must be created in the menu section 'Users and Devices'. In the field 'Label' the name to be assigned to this service must be written (e.g. 'Room call', in the field 'Address' the address 100 must be configured and finally in the field 'Room' the number 001 must be set;
- **AT962:** parameter 005 (room number is to be configured with the number 001; while parameter 014 (address to be associated with briefly pressing key 2) is to be configured with address 100 and finally parameter 015 is to be configured with room number 000;
- **EX352:** the internal address must be set to the value 001 while the 'square' button (i.e. the centre button) must be programmed for intercom call within the same flat with the address 000.

### Videointercom and intercom on different calls.

- **SE4252:** A new user must be created in the 'Users and Devices' menu section. In the field 'Label' the name to be assigned to this service (e.g. 'Call to mother-in-law' must be written, in the field 'Address' the address 099 must be configured;
- **AT962:** on microswitches SW1 set address 099  (toggles 1, 2, 6 and 7 in ON position) while parameter 014 (address to be associated with short press of button 2) is to be configured with address 100;
- **EX352:** The user address must be set to the value 099 while the 'square' button (i.e. the centre button) must be programmed for the call to the user with address 100.

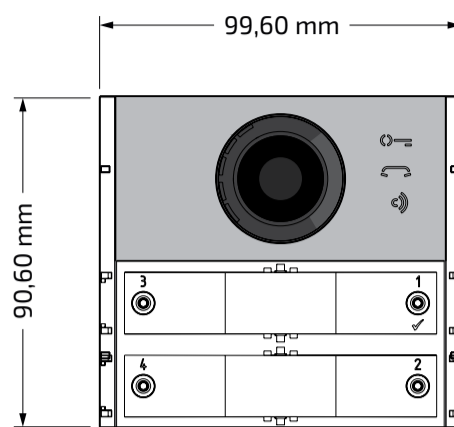
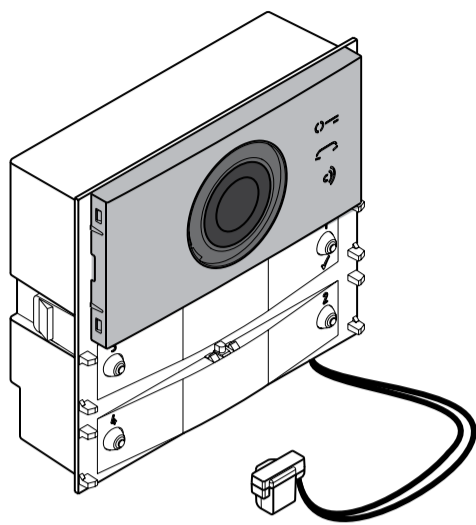
**On the CV2144AB audio/video module, the second AB21 (button), supplied with the kit, must be mounted. The first button (from the top) activates the call to address 099, the second to address 100.**



# Art. ZH1252ABWE

composed by:

**CV2144AB**

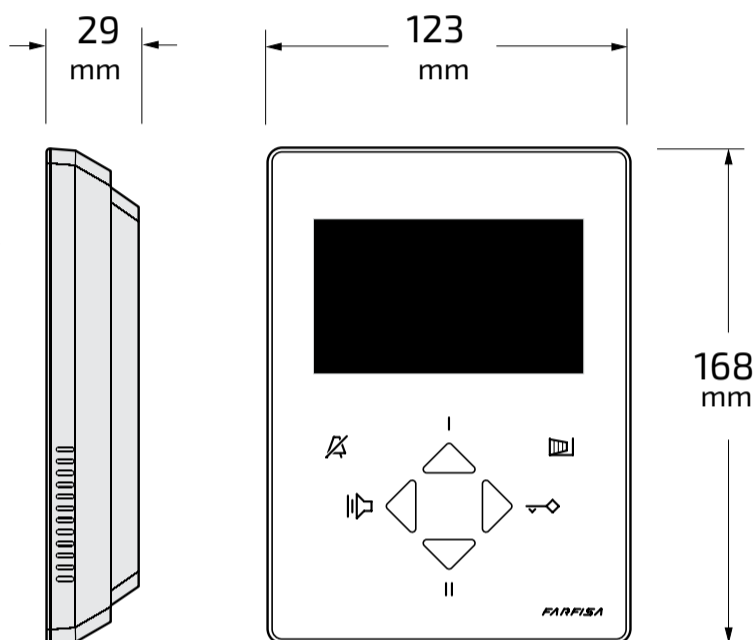


Programmable via  
DUO System app



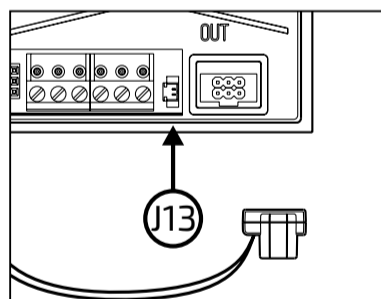
Modulators manag-  
ing

**ZH1252WE**



**CV2144AB:** The audio/video modules are equipped with:

- voice messages;;
- 2 Single-Button or 4 Double-Buttons configuration;
- auxiliary relay (contacts C and NA);



### Technical data

Power supply:	from the DUO line
Consumption	stand-by: 0.02A
	in operation: 0.25A
Max current delivered to other modules:	0.1A
Lock activation current	releasing: > 1A (10msec.)
	holding: 180mA
Operating temperature:	-25 ÷ 50°C
Maximum permissible humidity:	90% RH

### Terminals and Connectors

<b>LP/LP</b>	DUO line
<b>S+/S-</b>	Electric lock
<b>PB/GN</b>	Lock opening button
<b>J4</b>	Connector connecting other modules
<b>J13</b>	Auxiliary relay (30Vdc-1A)1A)

### LED signals under normal operation

	<b>ON:</b> lock released
	<b>ON:</b> call in progress
	<b>ON:</b> conversation in progress
	<b>Quickly flashing:</b> user or system busy

**ZH1252WE.** Videointercom with 7.0" LCD screen for DUO systems.

Four buttons are available to enable videointercom functions; the and buttons can also be used to make intercom calls.

### Technical data

Power supply	from DUO bus
Stand-by current	6 mA
Operating current	190 mA
Monitor	4,3" LCD
Operating temperature	0°÷+50°C
Maximum admissible humidity	90%RH

### Terminals

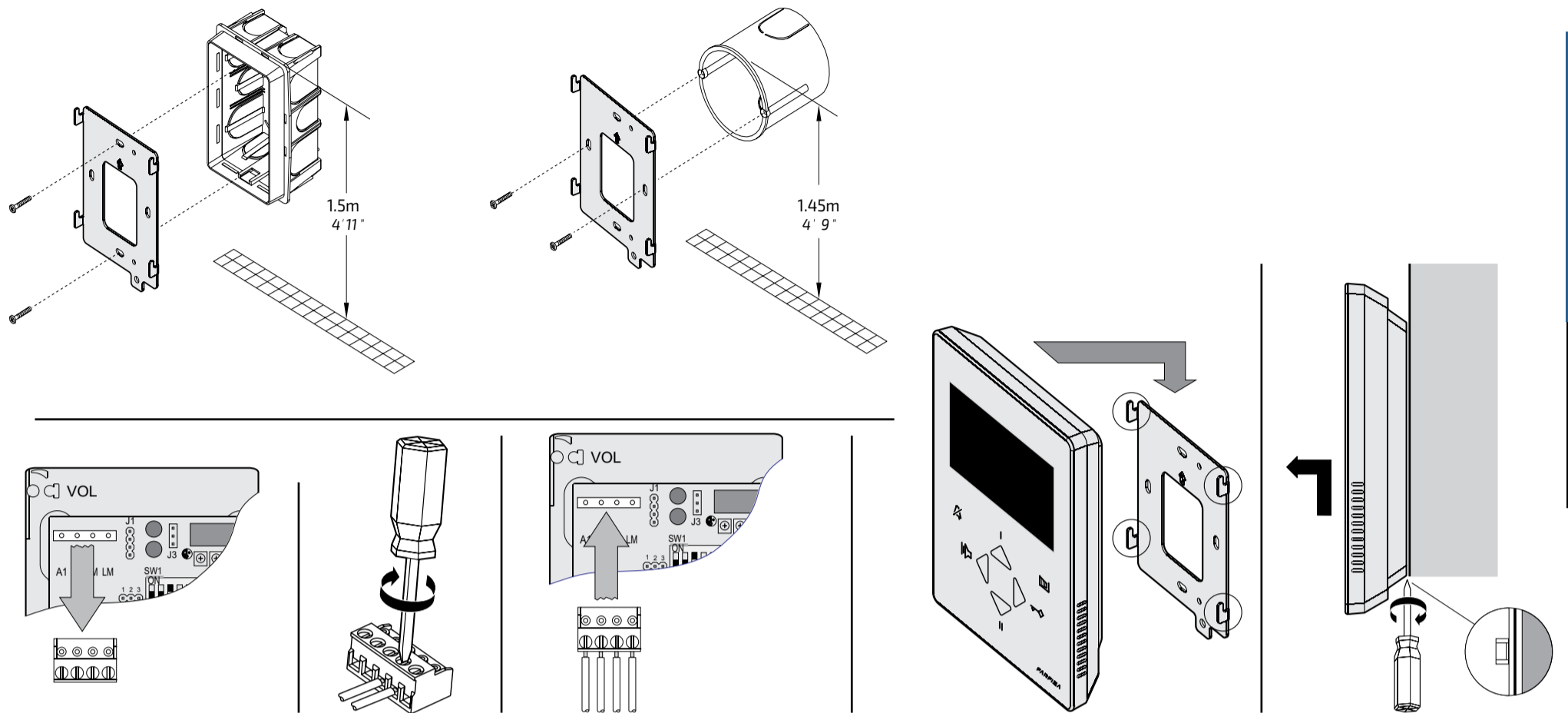
<b>A1/A1</b>	Floor call input
<b>LM/LM</b>	Line input

### Signalling LEDs

	Ringtones deactivated
	Signalling of door open

Mounting and installation

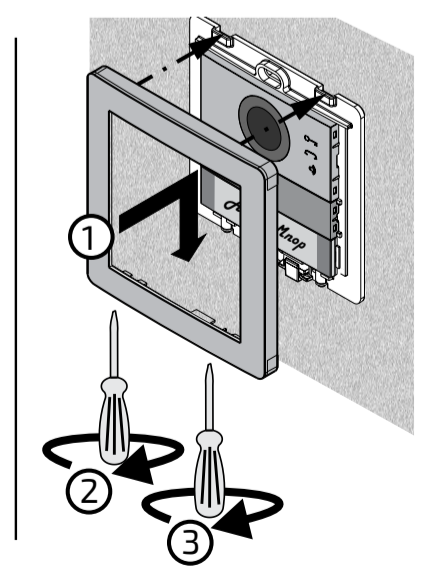
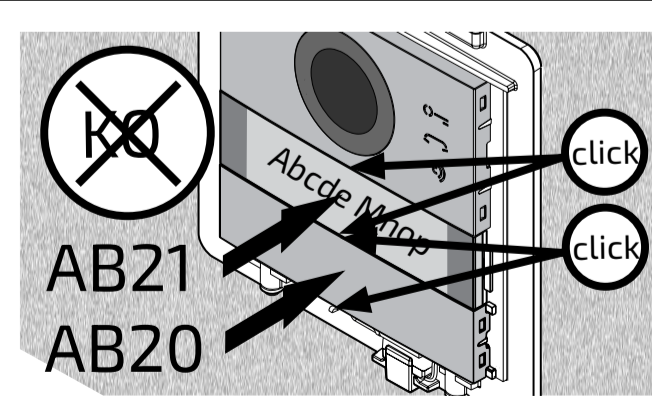
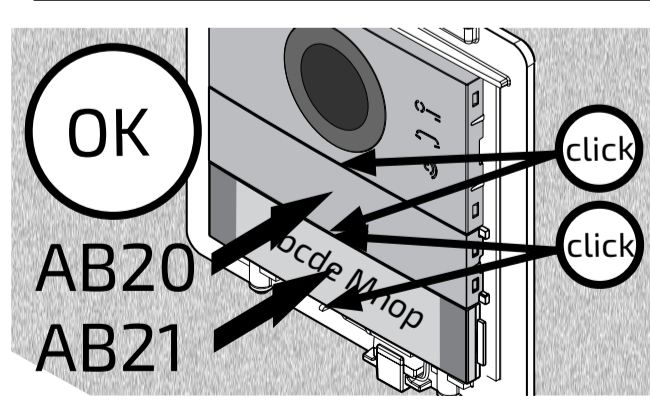
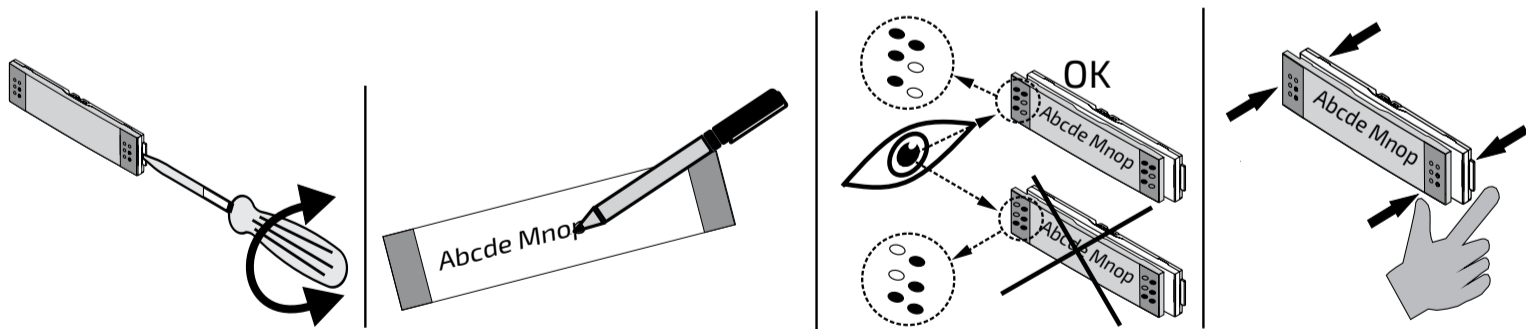
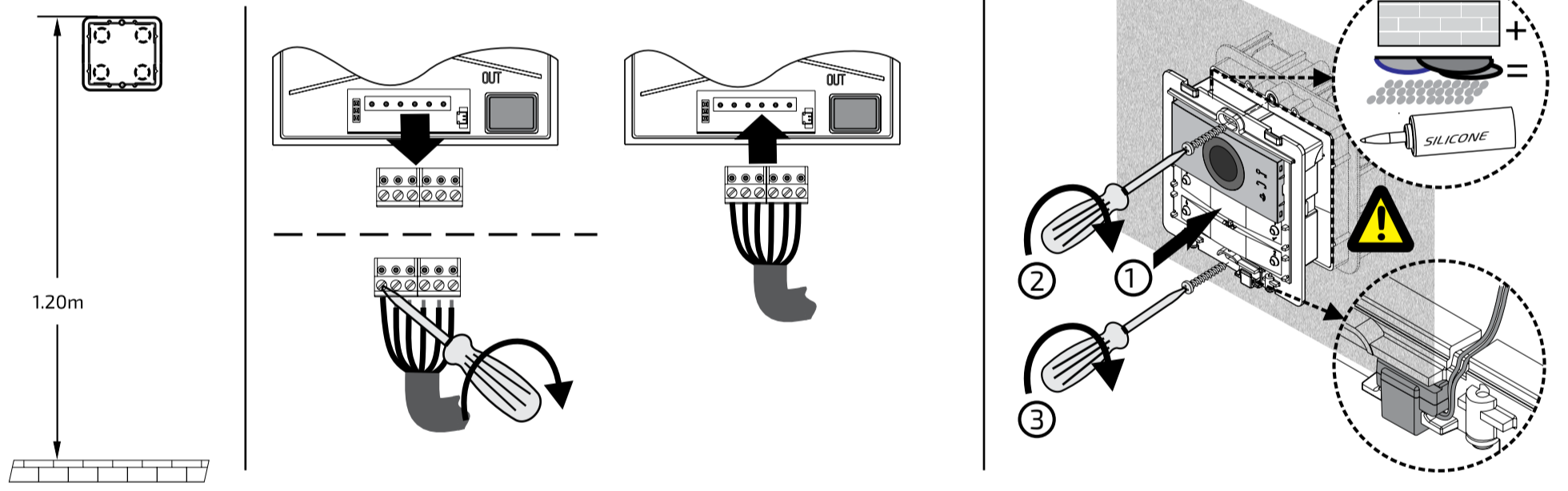
ZHEROS<sup>S</sup>  
ZH1252WE



4

DUO  
SYSTEM

ALBA  
CV2144AB

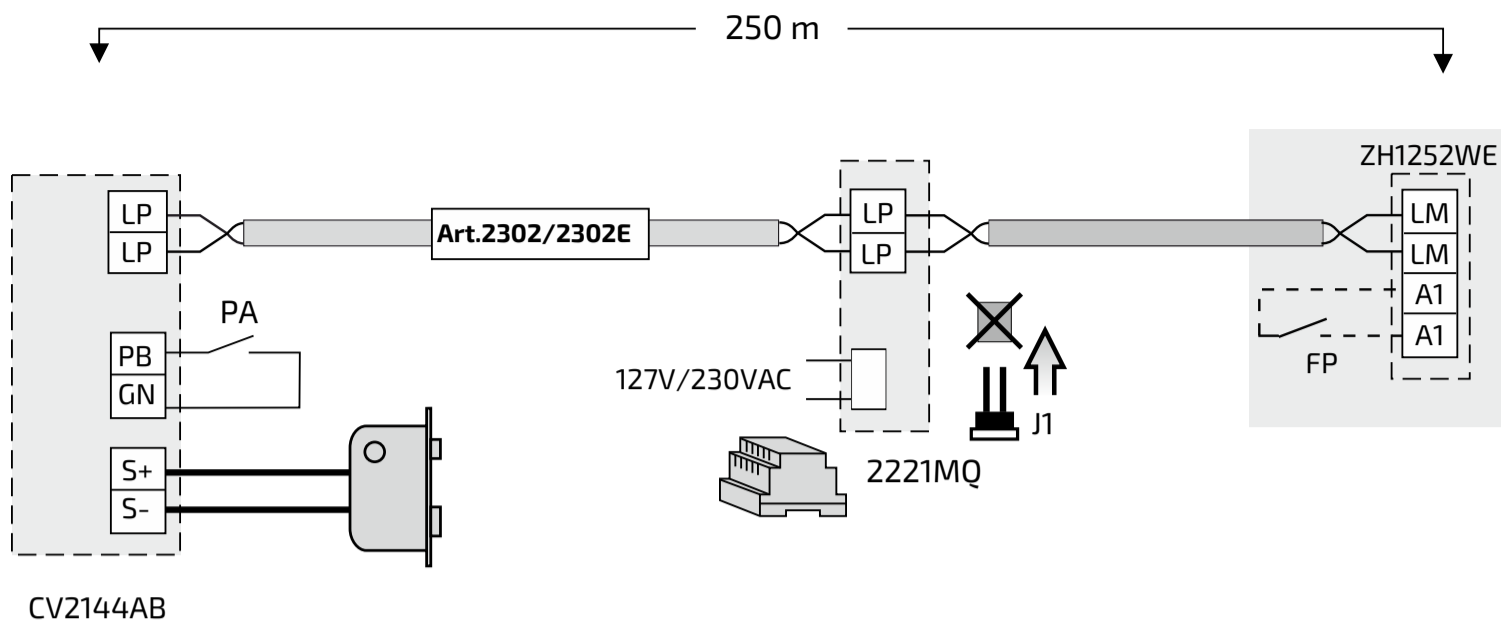


ZHEROS<sup>S</sup>  
ALBA

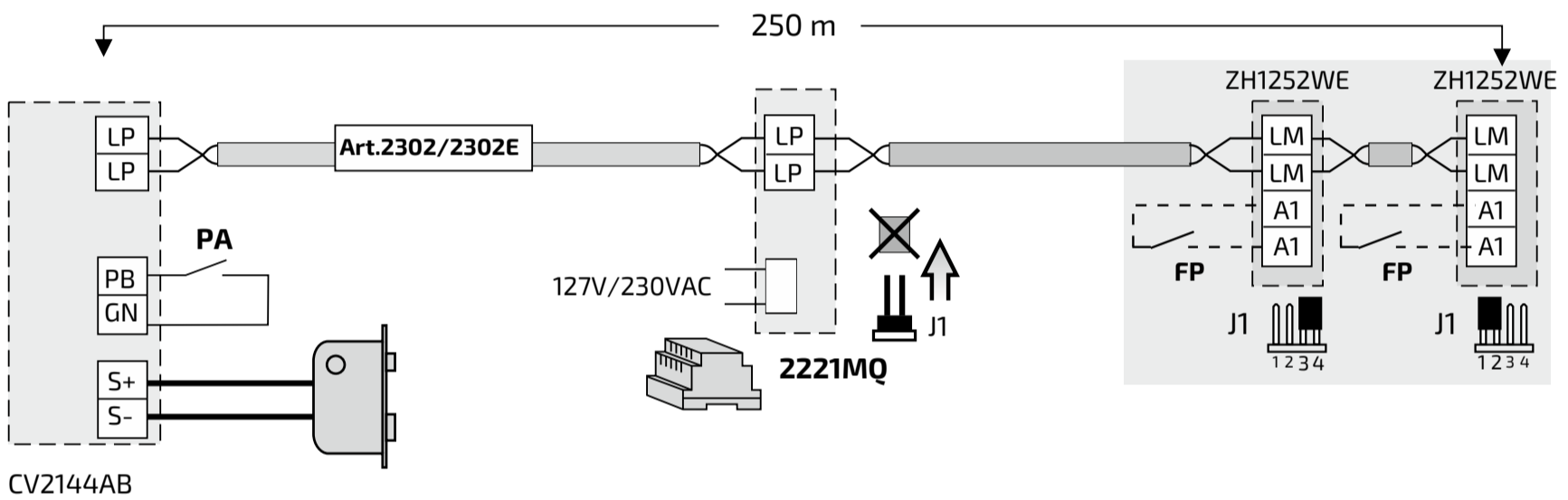
4.7

FARFISA

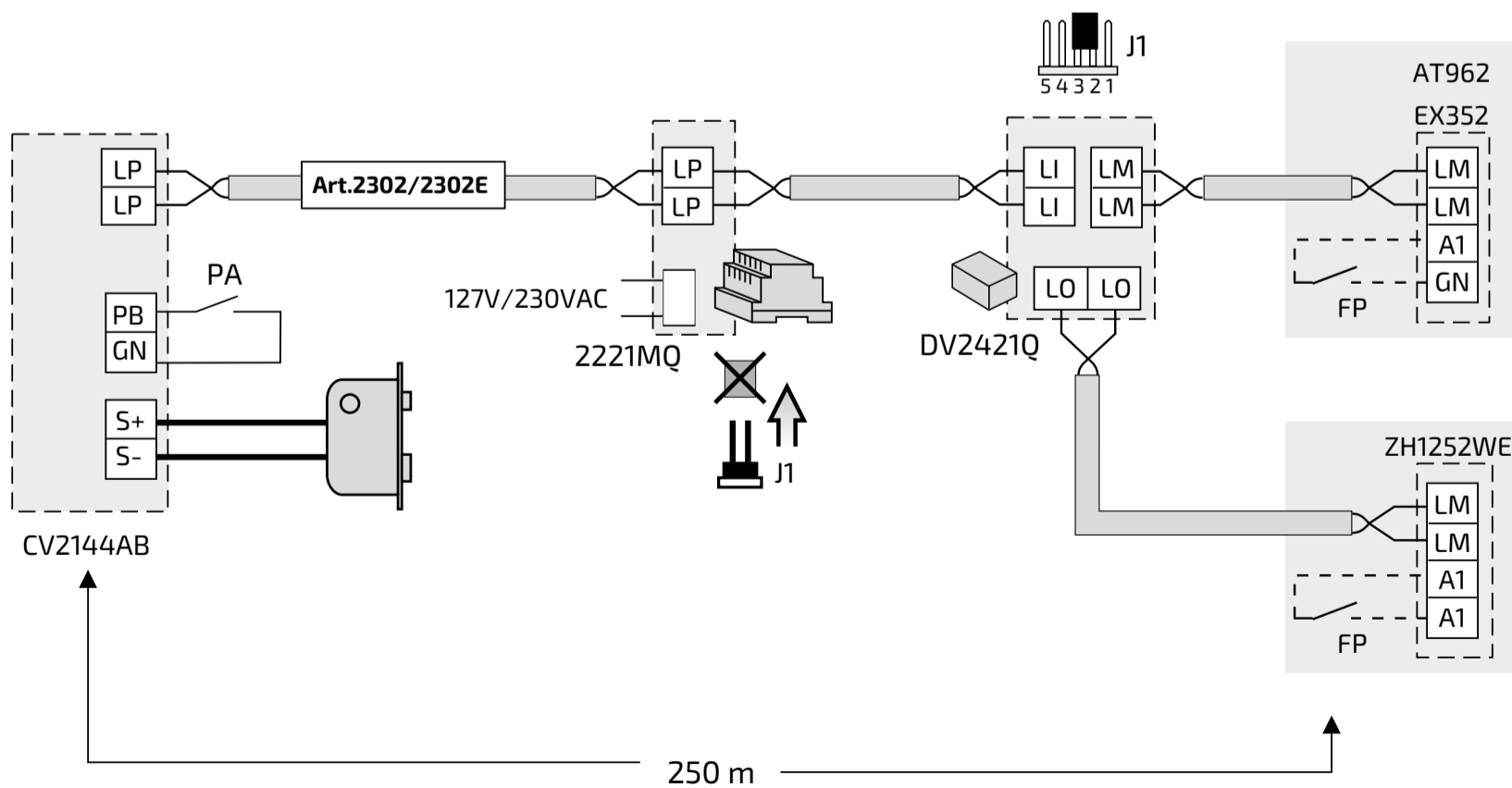
Basic kit installation diagram **Si 51VM/190**



Installation diagram with the addition of a second video intercom on the same call or on the other call **Si 51VM/191**



Installation diagram with addition of an intercom on the same call or on the other call **Si 51VM/192**




### Programming to be done.

Si 51VM/190

The videokit, if installed in compliance with the instructions provided in the instruction manual supplied, and in particular by installing the AB21 button below, is already factory-programmed for the main use relating to call forwarding. However, it is possible to make some customisations as shown in the following paragraphs:

### Activation J13 (CV2144AB), actuator for second opening. .




The ZH1252WE  button is already factory-programmed (address 211) to be able to operate output J13 of the CV2144AB module (dry contact), for example to open a driveway gate.

### Programming to be done.




Si 51VM/191

With the exception (where required) of changing the user address and room number on the videointercom (for which the microswitches on SW1 and SW2 must be operated), it is advisable to carry out all programming via Bluetooth, by installing the XE2921 programmer on the CV2144AB and downloading the 'DUO System' app to your smartphone. Alternatively, you can always proceed manually as described in the instruction manuals that accompany the videointercom or additional intercom.

### Second videointercom on the same call.

- **First ZH1252WE:** the videointercom button  must be configured with address 100 and room number 001 in order to send the intercom call;;
- **Second ZH1252WE:** set the microswitches of SW2 with the first toggle to ON  while the videointercom button  must be configured with address 100 and room number 000 in order to send the intercom call;;

### Second videointercom on a different call.

- **First ZH1252WE:** the videointercom button  must be configured with address 099 and room number 000 in order to send the intercom call;;
- **Second ZH1252WE:** set the microswitches of SW1 with toggles 1, 2, 6 and 7 to ON;  while the videointercom button  must be configured with address 100 and room number 000 in order to send the intercom call;


On the CV2144AB audio/video module, the second AB21 (button), supplied with the kit, must be mounted. The first button (from the top) activates the call to address 099, the second to address 100.

### Programming to be done.



Si 51VM/192

With the exception (where required) of changing the user address and room number on the videointercom (for which the microswitches on SW1 and SW2 must be operated), it is advisable to carry out all programming via Bluetooth, by installing the XE2921 programmer on the CV2144AB and downloading the 'DUO System' app to your smartphone. Alternatively, you can always proceed manually as described in the instruction manuals that accompany the videointercom or additional intercom.

### Videointercom and intercom on the same call.

- **ZH1252WE:** the videointercom button  must be configured with address 100 and room number 001 in order to send the intercom call;
- **AT962:** parameter 005 (room number is to be configured with the number 001; while parameter 014 (address to be associated with briefly pressing key 2) is to be configured with address 100 and finally parameter 015 is to be configured with room number 000;
- **EX352:** the internal address must be set to the value 001 while the 'square' button (i.e. the centre button) must be programmed for intercom call within the same flat with the address 000.

### Videointercom and intercom on different calls.

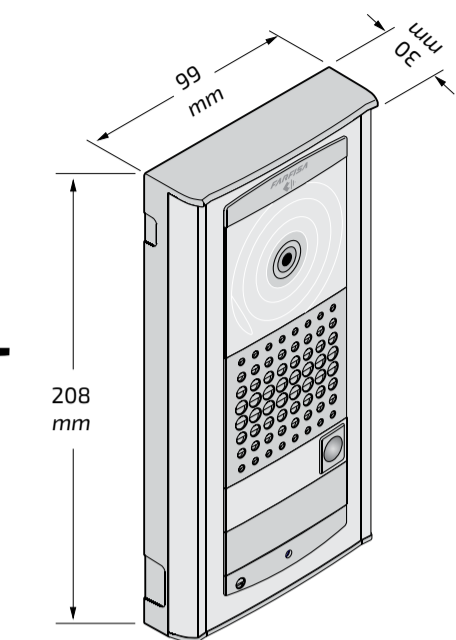
- **ZH1252WE:** the videointercom button  must be configured with address 099 and room number 000 in order to send the intercom call;;
- **AT962:** on microswitches SW1 set address 099  (toggles 1, 2, 6 and 7 in ON position) while parameter 014 (address to be associated with short press of button 2) is to be configured with address 100;
- **EX352:** The user address must be set to the value 099 while the 'square' button (i.e. the centre button) must be programmed for the call to the user with address 100.

On the CV2144AB audio/video module, the second AB21 (button), supplied with the kit, must be mounted. The first button (from the top) activates the call to address 099, the second to address 100.

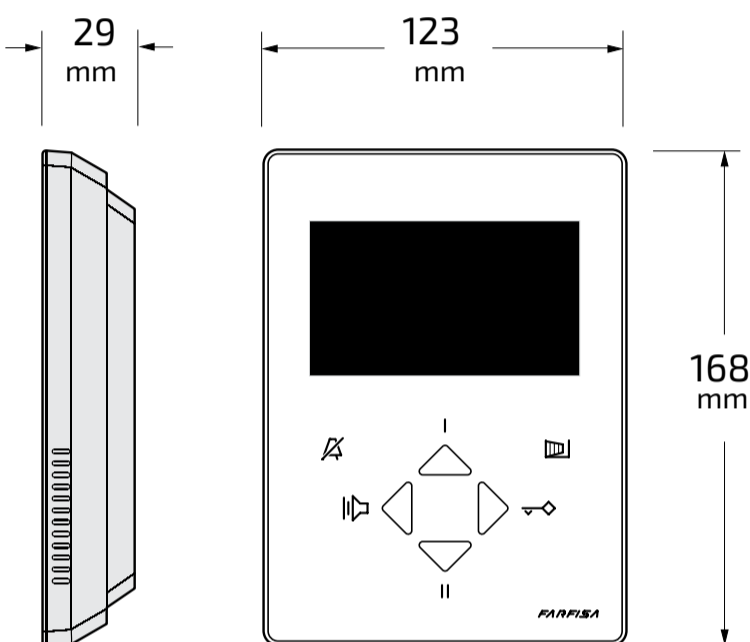
# Art. ZH1252AGLEWE

composed by:

## VD2101AGL



## ZH1252WE



Programmable via  
DUO System app



Modulators manag-  
ing

**VD2101AGL:** Agora series external door stations with 1 or maximum 2 buttons. Allows calls to be sent on the DUO digital line.


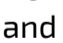
### Technical data

Power supply	from DUO line
Stand-by consumption	16 mA
Operating absorption	350 mA
Lock absorption	12Vac/1A max
Lock activation time	max. 10 sec.
Minimum illumination	0,5 Lux
Camera LEDs	4 (white)
Signalling LED	1 (red)
Sensor	1/3" CMOS
Lens	3,7 mm
Focusing	0,6m ÷ ∞
Horizontal/vertical panning	±10°

### Terminals

<b>S+/S-</b>	Electric door lock
<b>LP/LP</b>	DUO line
<b>PB/GN</b>	Door lock release push-button

**ZH1252WE.** Videointercom with 7.0" LCD screen for DUO systems.

Four buttons are available to enable videointercom functions; the  and  buttons can also be used to make intercom calls.



### Technical data

Power supply	from DUO bus
Stand-by current	6 mA
Operating current	190 mA
Monitor	4,3" LCD
Operating temperature	0°÷+50°C
Maximum admissible humidity	90%RH

### Terminals

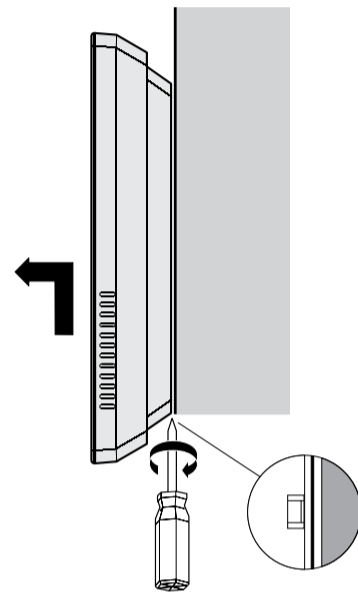
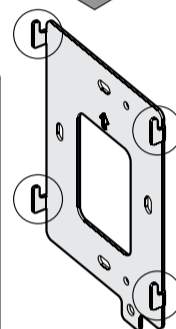
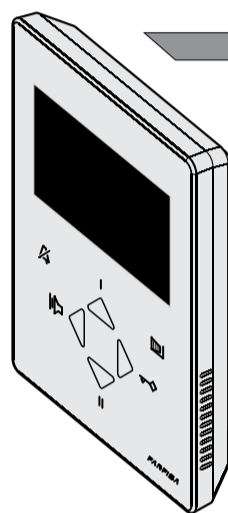
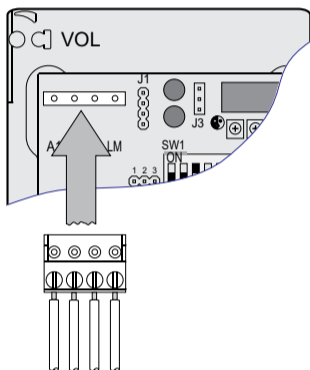
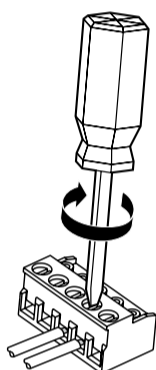
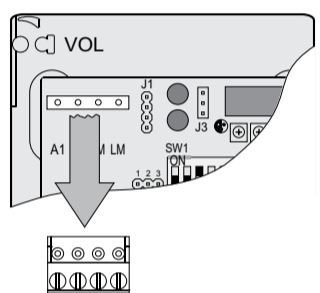
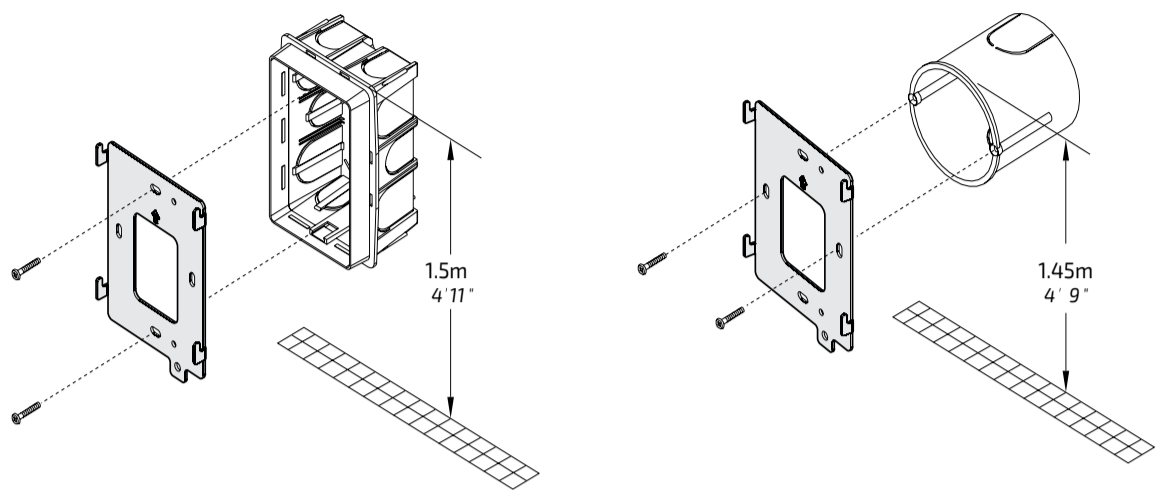
<b>A1/A1</b>	Floor call input
<b>LM/LM</b>	Line input

### Signalling LEDs

	Ringtones deactivated
	Signalling of door open

# ZHERO<sup>S</sup>

ZH1252WE

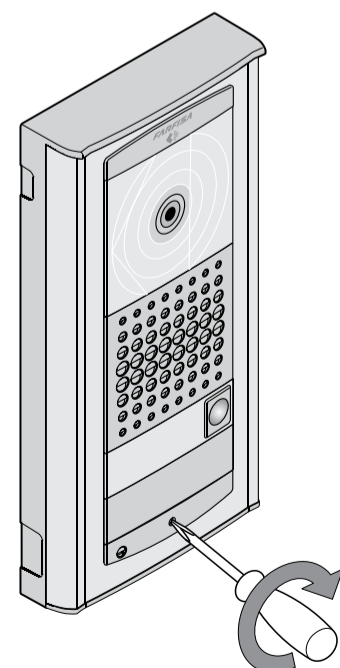
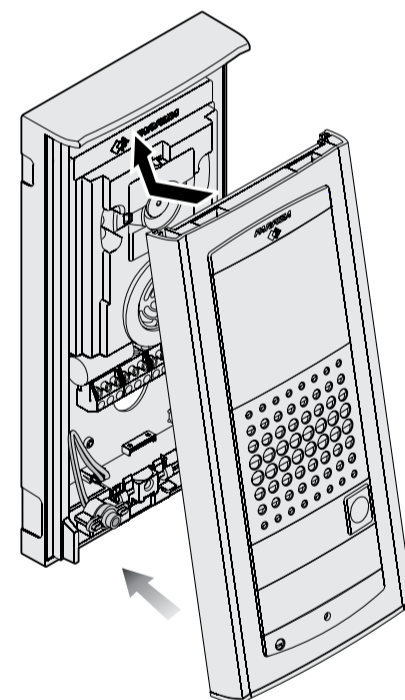
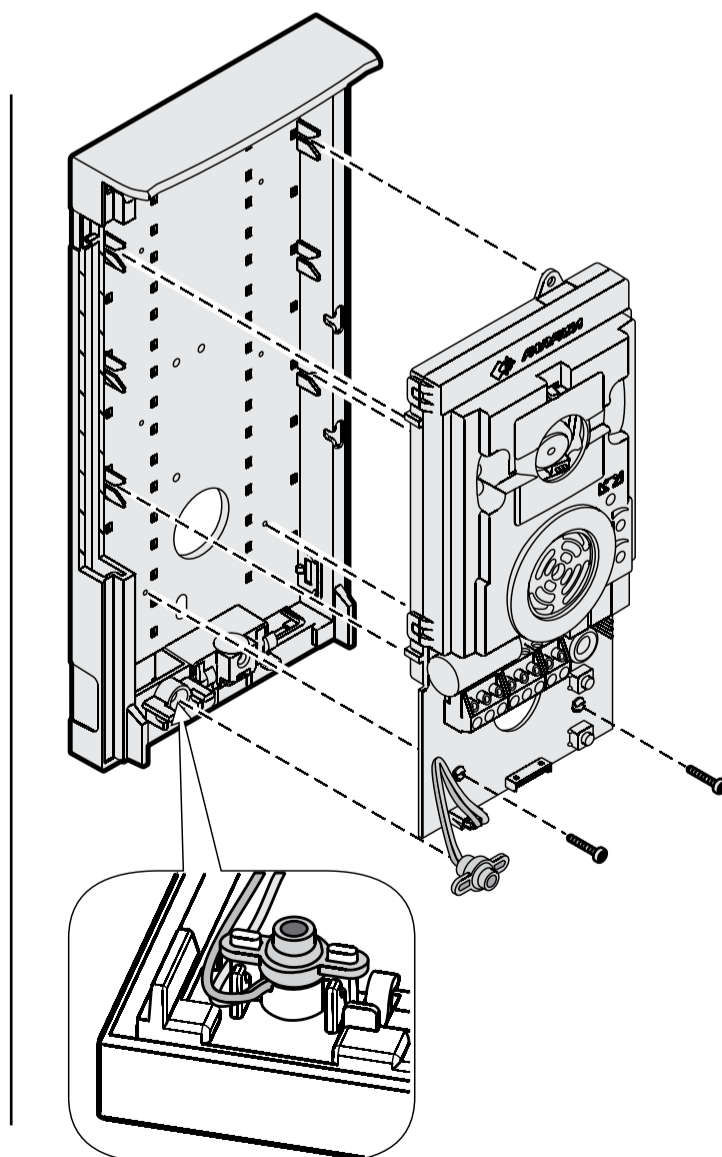
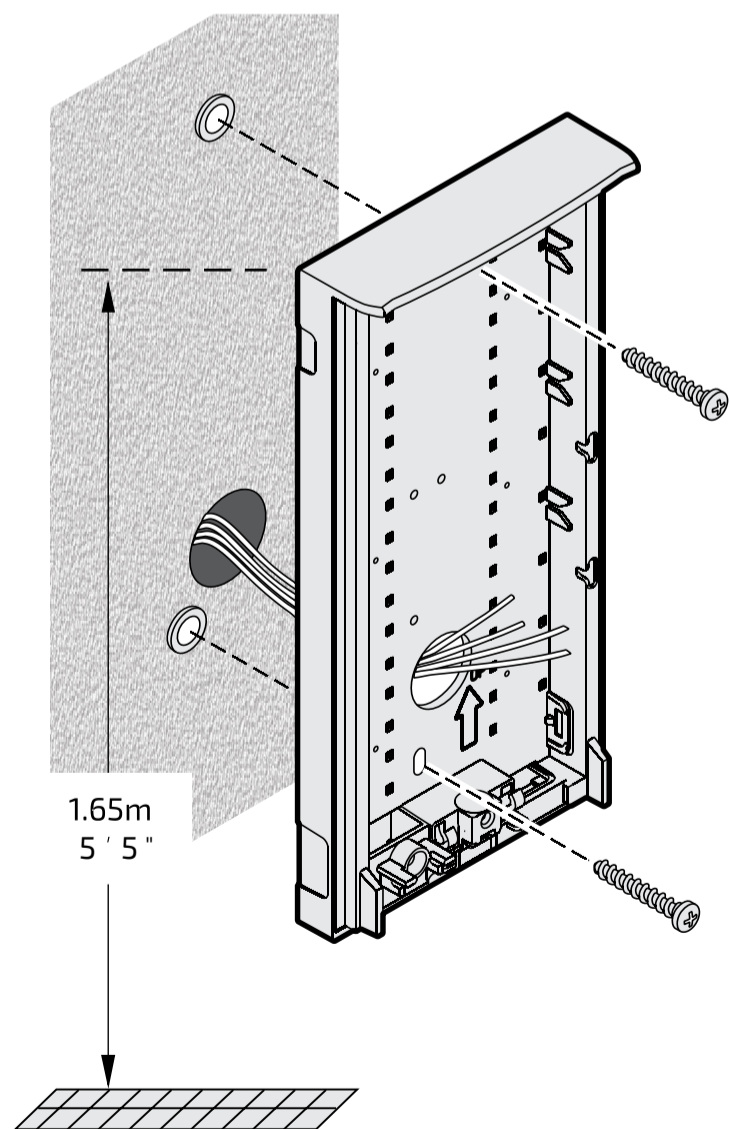


4

DUO  
SYSTEM

# A( )KÀ

VD2101AGL

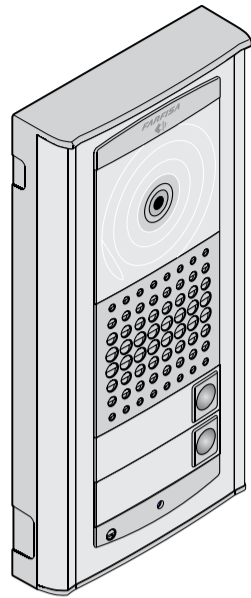


ZHERO<sup>S</sup>  
A( )KÀ

Art. ZH1252AGLEWE/2

composed by:

VD2102AGL



Programmable via  
DUO System app

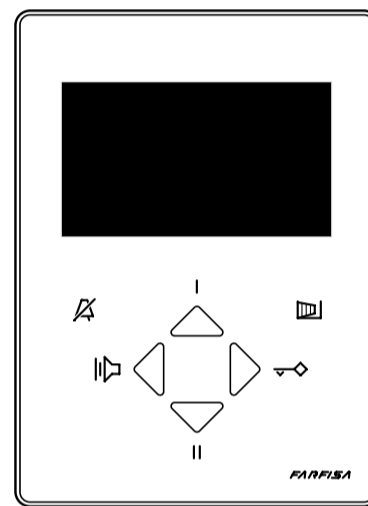


Modulators manag-  
ing

29  
mm

123  
mm

2 x ZH1252WE



168  
mm

**VD2102AGL:** Agora series external door stations with 2 buttons. Allows calls to be sent on the DUO digital line.


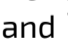
**Technical data**

Power supply	from DUO line
Stand-by consumption	16 mA
Operating absorption	350 mA
Lock absorption	12Vac/1A max
Lock activation time	max. 10 sec.
Minimum illumination	0,5 Lux
Camera LEDs	4 (white)
Signalling LED	1 (red)
Sensor	1/3" CMOS
Lens	3,7 mm
Focusing	0,6m ÷ ∞
Horizontal/vertical panning	±10°

**Terminals**

<b>S+/S-</b>	Electric door lock
<b>LP/LP</b>	DUO line
<b>PB/GN</b>	Door lock release push-button

**ZH1252WE.** Videointercom with 7.0" LCD screen for DUO systems.

Four buttons are available to enable videointercom functions; the  and  buttons can also be used to make intercom calls.



**Technical data**

Power supply	from DUO bus
Stand-by current	6 mA
Operating current	190 mA
Monitor	4,3" LCD
Operating temperature	0°÷+50°C
Maximum admissible humidity	90%RH

**Terminals**

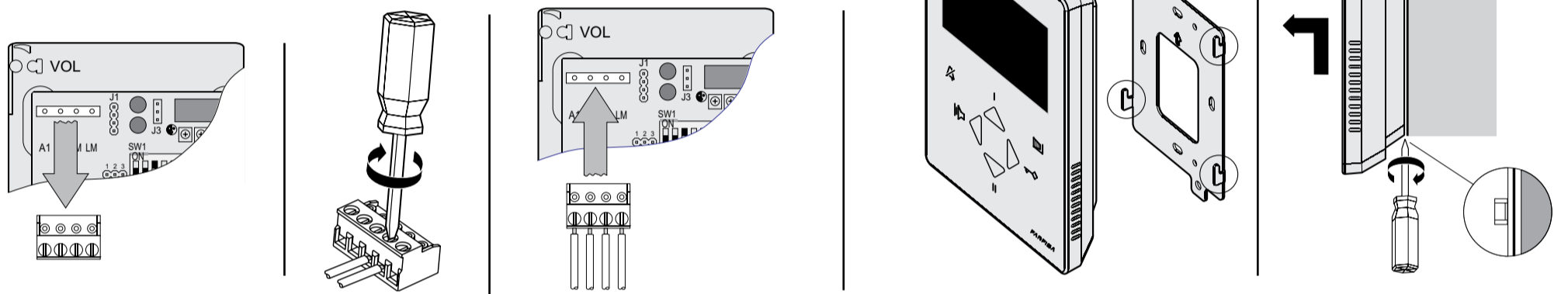
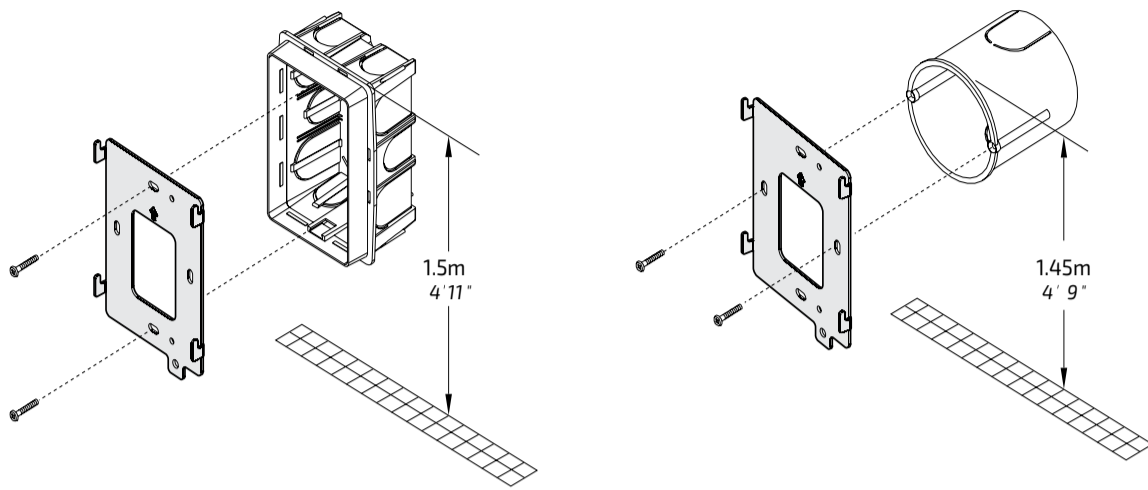
<b>A1/A1</b>	Floor call input
<b>LM/LM</b>	Line input

**Signalling LEDs**

	Ringtones deactivated
	Signalling of door open

# ZHERO<sup>S</sup>

## ZH1252WE

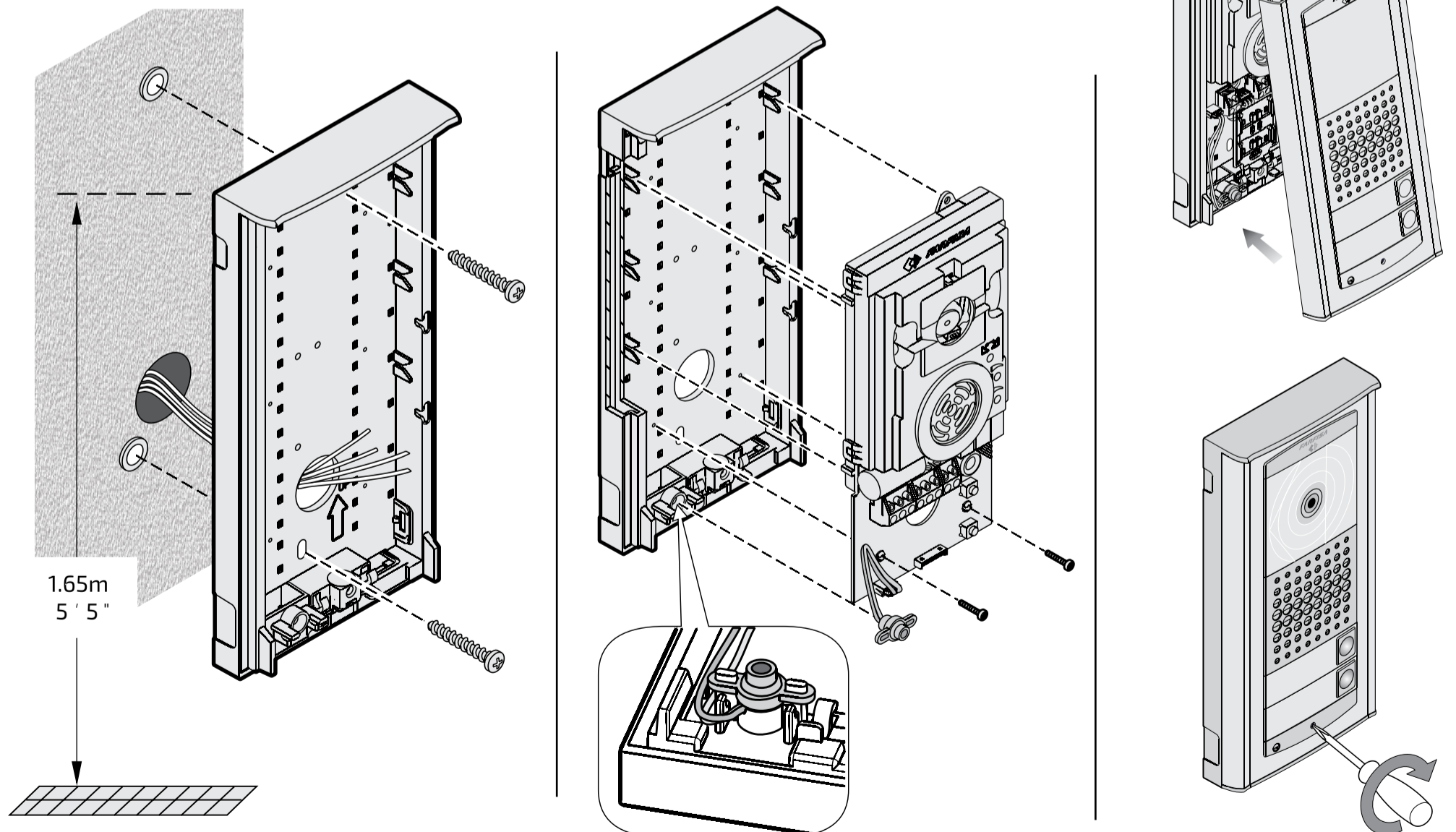


4

**DUO**  
S Y S T E M

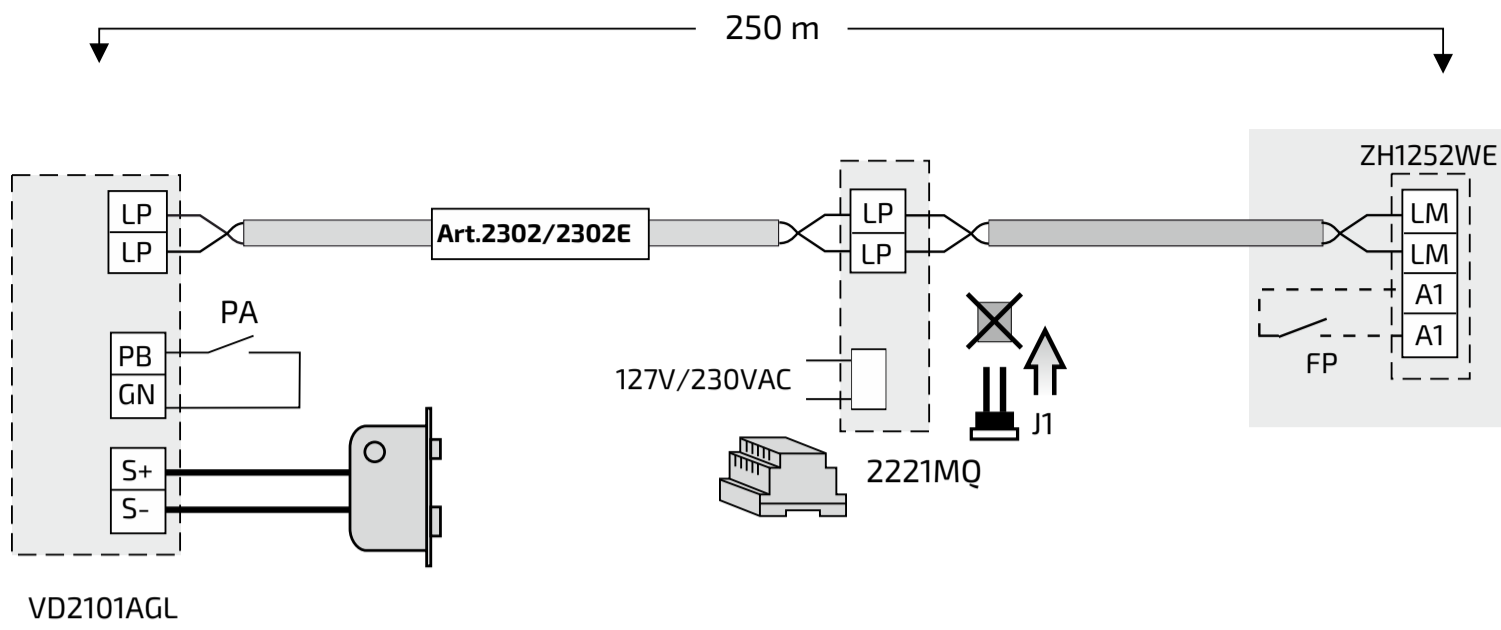
# A( )KÀ

## VD2102AGL

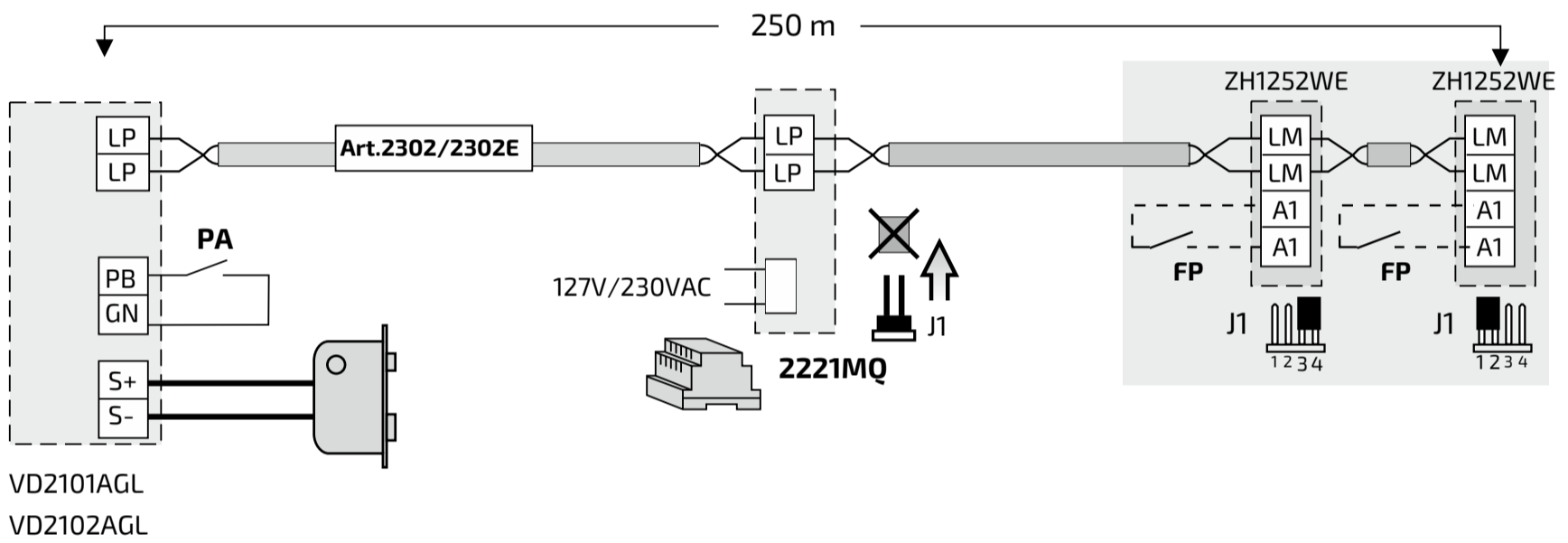


**ZHERO<sup>S</sup>**  
**A( )KÀ**

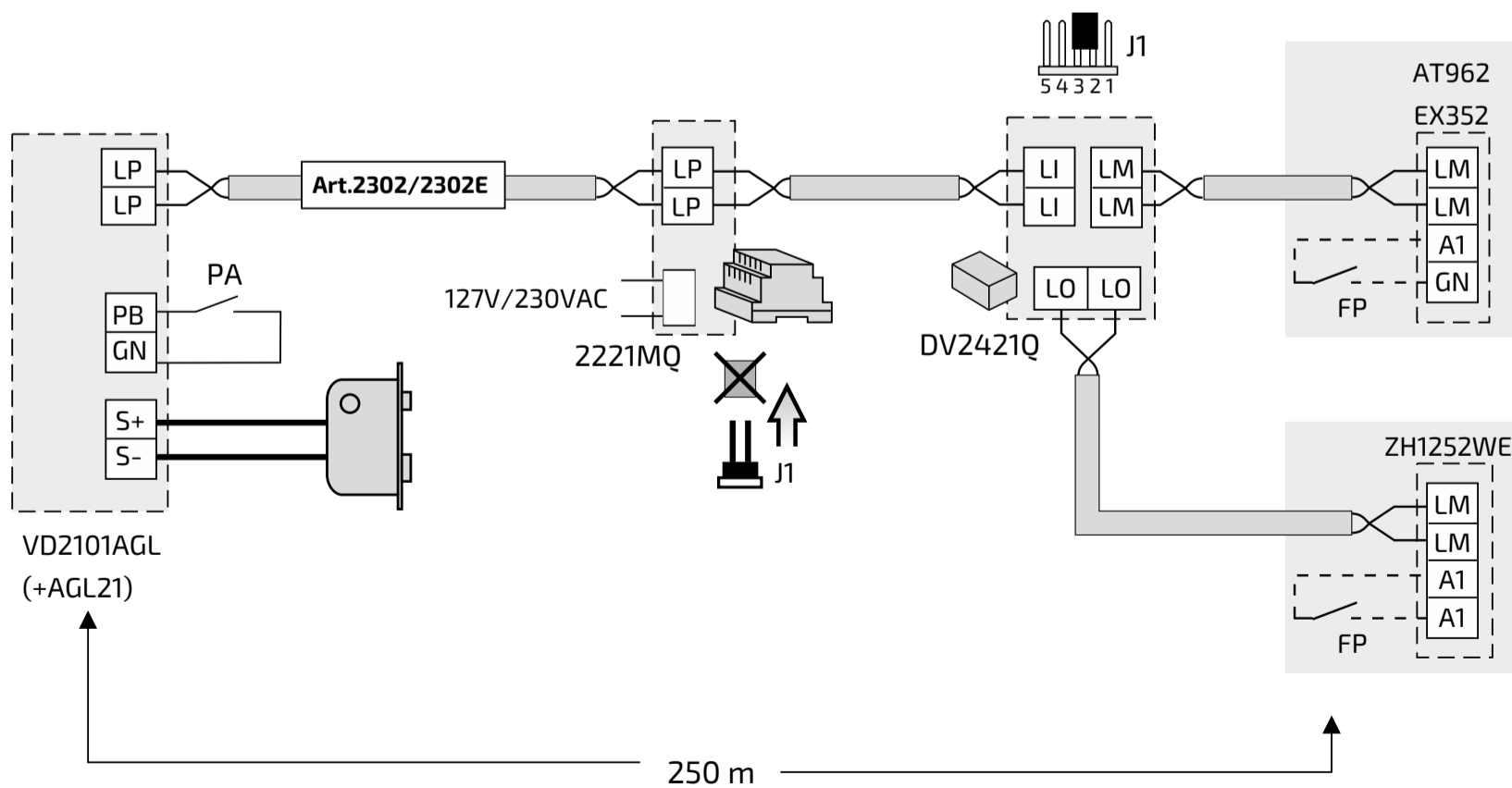
Basic kit installation diagram **Si 51VM/190**



Installation diagram with the addition of a second video intercom on the same call or on the other call **Si 51VM/191**



Installation diagram with addition of an intercom on the same call or on the other call **Si 51VM/192**



### Programming to be done.

Si51VM/190




The videokit, if installed in accordance with the instructions provided in the accompanying instruction manual, and in particular by installing the AGL21 button at the top, is already factory-programmed for the main use relating to call forwarding.

### Programming to be done.




Si51VM/191

With the exception (where required) of changing the user address and room number on the videointercom (for which the microswitches on SW1 and SW2 must be operated), it is advisable to carry out all programming via Bluetooth, by installing the PGR2991BT programmer and downloading the 'DUO System' app to your smartphone. Alternatively, it is always possible to proceed manually as described in the instruction manuals accompanying the videointercom or additional intercom.

#### Second videointercom on the same call.

- **First ZH1252WE:** the videointercom button  must be configured with address 100 and room number 001 in order to send the intercom call;;
- **Second ZH1252WE:** set the microswitches of SW2 with the first toggle to ON  while the videointercom button  must be configured with address 100 and room number 000 in order to send the intercom call;;

#### Second videointercom on a different call.

- **First ZH1252WE:** the videointercom button  must be configured with address 101 and room number 000 in order to send the intercom call;;
- **Second ZH1252WE:** set the microswitches of SW1 with toggles 1, 3, 6 and 7 to ON;  while the videointercom button  must be configured with address 100 and room number 000 in order to send the intercom call;


On the VD2102AGL audio/video module, the first button (from the top) activates the call to address 100 and the second to address 101.

### Programming to be done.



Si51VM/192

With the exception (where required) of changing the user address on the AT962 intercom (for which the microswitches on SW1 must be operated), it is advisable to carry out all programming via Bluetooth by installing the PGR2991BT programmer and downloading the 'DUO System' app to your smartphone. Alternatively, it is always possible to proceed manually as described in the instruction

#### Videointercom and intercom on the same call.

- **ZH1252WE:** the videointercom button  must be configured with address 100 and room number 001 in order to send the intercom call;
- **AT962:** parameter 005 (room number is to be configured with the number 001; while parameter 014 (address to be associated with briefly pressing key 2) is to be configured with address 100 and finally parameter 015 is to be configured with room number 000;
- **EX352:** the internal address must be set to the value 001 while the 'square' button (i.e. the centre button) must be programmed for intercom call within the same flat with the address 000.

#### Videointercom and intercom on different calls.

- **ZH1252WE:** the videointercom button  must be configured with address 101 and room number 000 in order to send the intercom call;
- **AT962:** on microswitches SW1 set address 101  (toggles 1, 3, 6 and 7 in ON position) while parameter 014 (address to be associated with short press of button 2) is to be configured with address 100;
- **EX352:** the user address must be set to the value 101 while the 'square' button (i.e. the centre button) must be programmed to call the user with the address 100. If intercom service from the EX352 intercom to the videointercom is not required, there is a quick procedure (described on the next page) for assigning only user address 101.

The additional AGL21 button (to be purchased separately) must be mounted on the VD2101AGL audio/video module. The first button (from above) activates the call to address 100 and the second to address 101.

**Quick address assignment 101 to intercom EX352.**

If you are interested in assigning only address 101 to the EX352 intercom (useful in the case of the 2AEX352LE 2-ways audio kit), follow the procedure described in the figure beside.

